

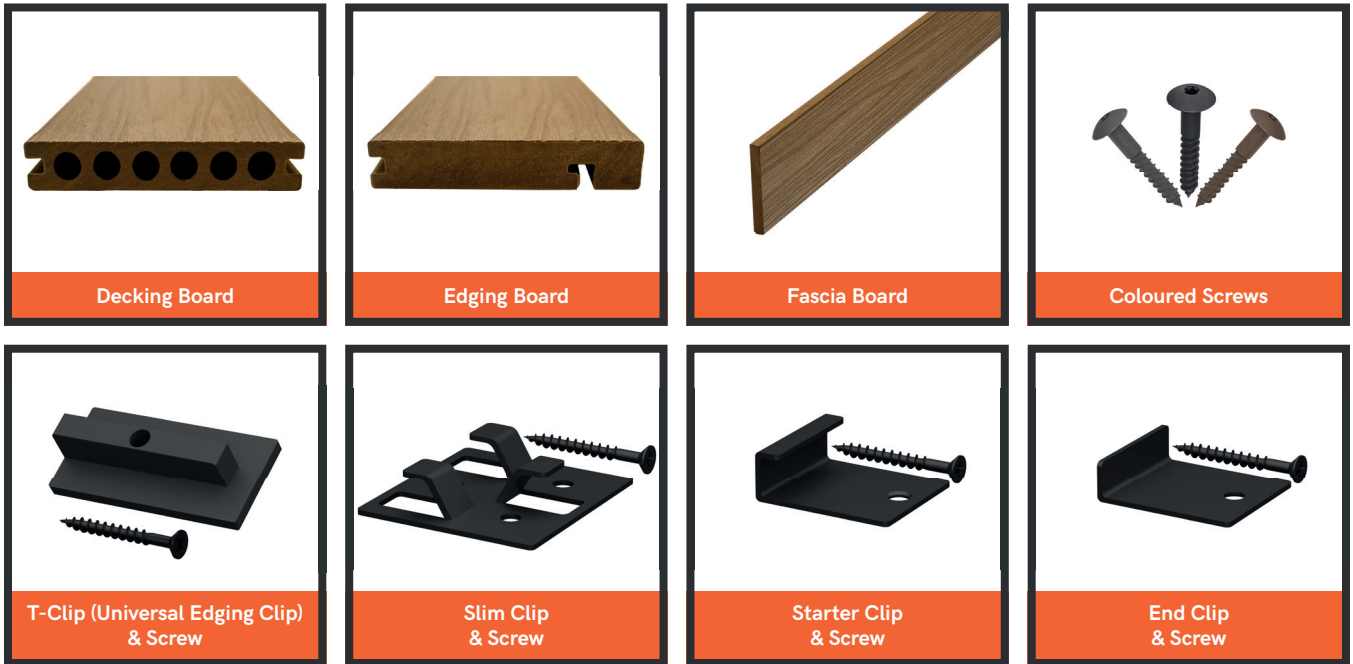


**PIRANHA**<sup>®</sup>  
DECKING & FENCING SOLUTIONS

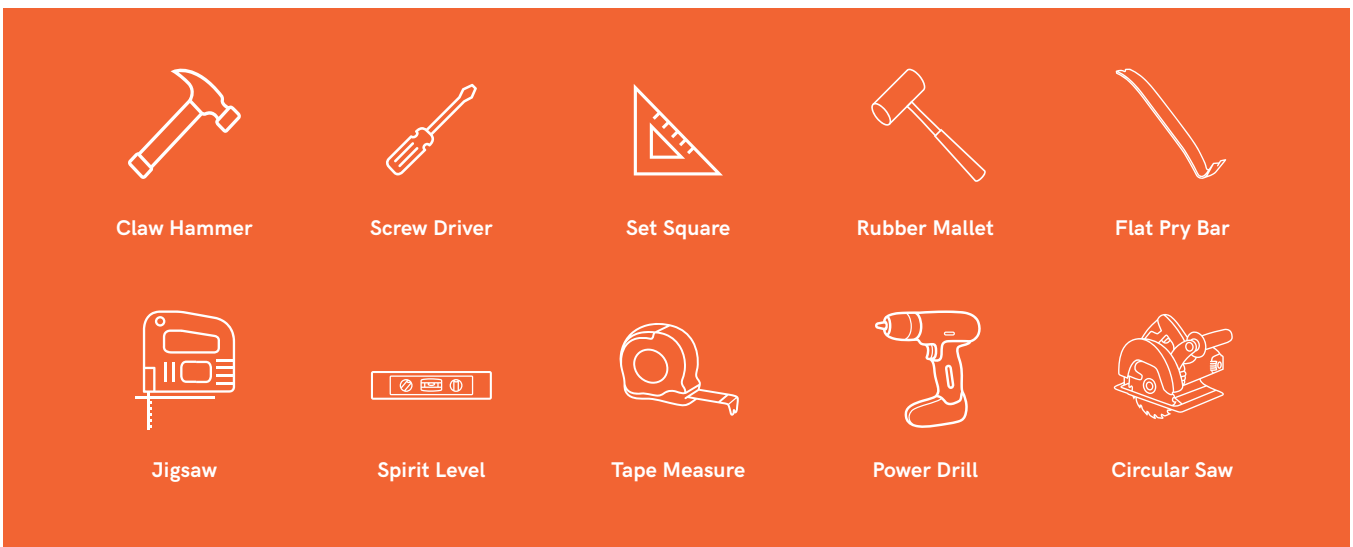


Guide to Planning & Installing  
**Composite Decking**

# Decking System Components



# Required Tools



# Calculating Requirements

## Decking Boards

In metres, multiply the length by the width of the area; Length(m) x width(m) = (a).

Multiply the answer(a) by 2.

If there is a decimal, round it up to the next number.

### Example:

(a) = Area length x width - 3.60m x 4.80m = 17.28 x 2 = 34.56.

Rounded up to the nearest full board = 35 boards required.

Add 10-15% for wastage.

For diagonal installation always add 15% to your total plus the wastage.

## Edging & Fascia Boards

Measure perimeter requirement in metres and divide by the board length. Check the height of the fascia vs height required.

## Clips

### Starter & End Clips:

- Starter Clips allow you to start and finish your decking.
- End Clips are only required when installing your last Decking Board (when Slim Metal Clips have been used during installation of the deck boards).
- 1 Starter or End Clip for each supporting joist, therefore every 300mm.
- 13 Starter Clips / End Clips per board.

### Installation Clips - T-Clip or Slim Clip

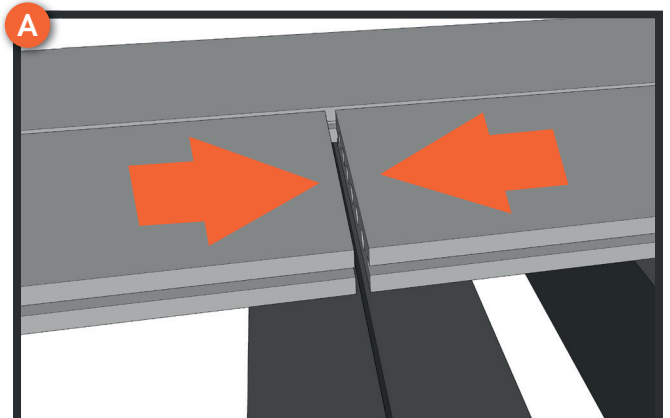
- T-Clips provide an approx. 7mm joint.
- Slim Metal Clips provide an approx. 5mm joint.
- 13 installation clips per board based on 300mm joist centres.



# Pre-Installation Considerations

- Always purchase all the boards for the project together as colour may vary from batch to batch. Batches bought at different times will vary due to natural and process variables, from material batching to temperature and humidity.
- Always inspect the boards for any damage upon delivery.
- Always allow for wastage (10%-15% is recommended subject to design).
- Consider how you're going to store the product once it arrives on site or at your store. Stack on flat ground with supports at each end and spaced no more than 600mm apart.
- Do not stack packs more than four high.
- Store opened packs under cover, to minimise contamination and colour stabilisation and ensure the covering is adequately secured.
- Considerations must be taken for how to install the last deck board, when working against a solid boundary, for example, a wall. Our recommendation is that you start at the solid boundary and work towards the open end.
- We would recommend leaving your composite boards outside for at least 24 hours prior to starting installation. This allows them to acclimatise to temperature and weather conditions before you begin work and ensures the expansion gap you set is correct.
- Deck boards stored in the sun, without protection, will have expanded prior to install whereas any boards stored in the shade will not have expanded.
- All composite decking boards will naturally contract and expand, subject to temperature conditions.
- The ideal temperature for installation of Piranha Composite Decking is between 4°C and 25°C. Refer to the Temperature Guidance Table below.
- When boards meet end-to-end, you must allow some expansion space. Suitable gaps should be maintained between board joints. Do not allow composite deck boards to meet at the ends. **(A)**
- Where butting up against a building or another structure, leave the recommended gap.

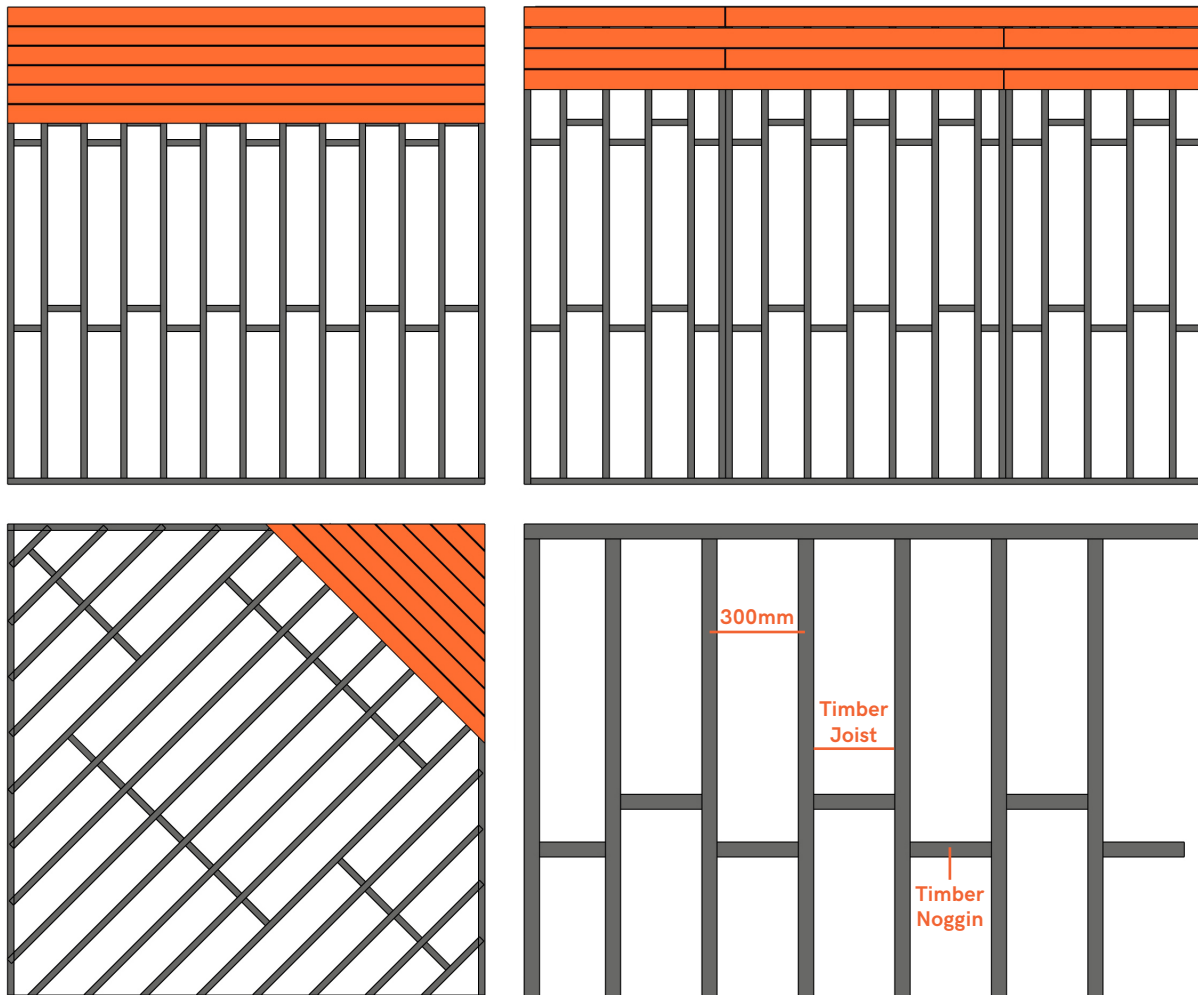
Temperature Guidance Table	
Outside Temperature	End-to-End Gap
Below 4°C	6mm
Between 4°C - 25°C	3mm
26°C or over	1mm





# Timber Subframe Considerations

- Minimum of 100 x 47mm treated timber should be used for constructing the subframe, dependent on span.
- Joists should be spaced at 300mm centres.
- A double joist should be installed where deck boards butt together, and a separate clip should be used at the end of each board (never share a clip between 2 boards). Do not forget your expansion joint.
- When picture framing, a double joist is required on the perpendicular side of the frame to allow both Starter Clip and first decking clip to be fixed.
- A suitable ventilation gap must be left around the base of the deck to allow air flow.
- We recommend covering the ground underneath the frame with a membrane to prevent weeds from coming through.
- Always incorporate a suitable fall to allow water run off, away from any building.
- Always use suitable screws for outdoor use when constructing the frame.



# Installation on Adjustable Risers

Pavetuf Adjustable Risers can be used to elevate your composite decking sub-frame without the requirement for support posts. Our Adjustable Riser system comprises of various components including a specifically designed top plate and self-levelling attachments, as well as several other accessories.

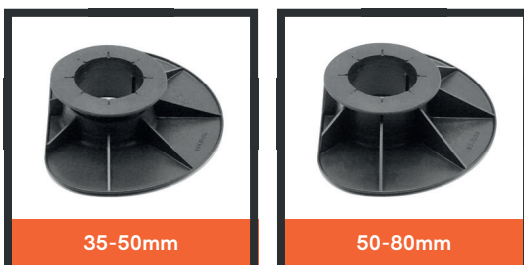
The adjustable riser base is available in 5 height options:



The Top Plate is designed for wooden or composite joists, with a rotating fixation at the side, to ensure the joist is centered on the plate. The maximum joist width is 75mm.



Adjustable side support bases can be utilised during installation against walls and edges. The side support base is available in 2 height options:



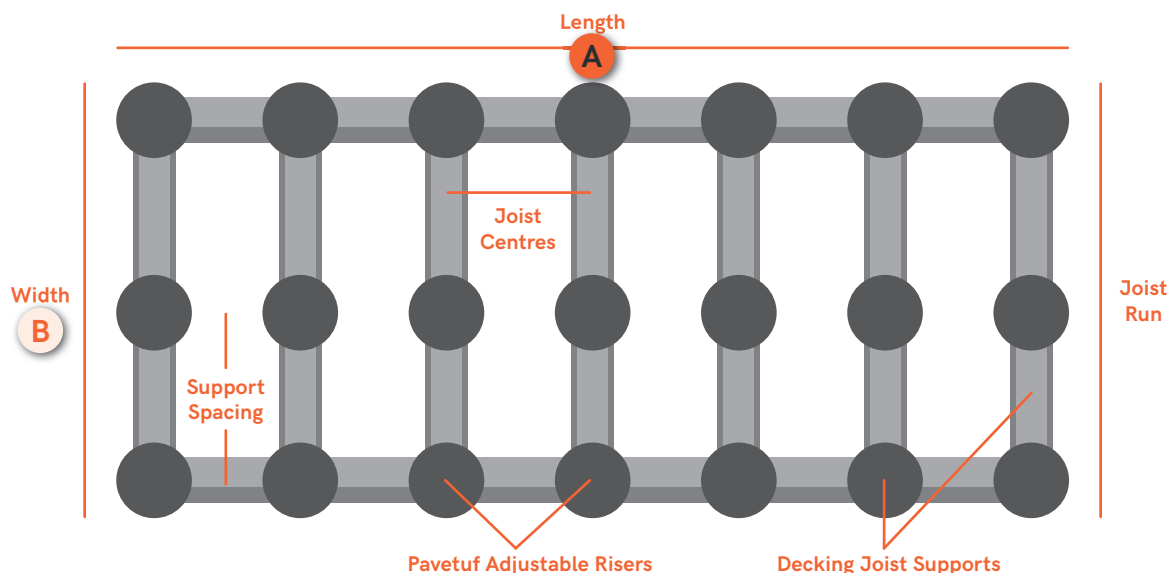
The system ideally needs to be laid onto a solid flat foundation of concrete, a flat roof, balcony, or terrace where the decking substructure can be supported with Pavetuf Adjustable Risers. These are simply placed straight onto the ground and the height of each riser can easily be adjusted using the telescopic stem system.

If installing onto a gravel or grass, ensure the area is suitably stable and will not sink with the weight of the system. We would recommend using a sub-base of compacted MOT type 1 at a depth of at least 15cm, to stabilise the surface. The use of a garden geotextile weed membrane, on areas other than concrete or tarmac, is advised to reduce the risk of weed growth.

# Calculating Requirements

Use the recommended guide below to calculate how many Pavetuf Adjustable Risers you will need for your installation.

Calculate the amount of joist runs that require supporting. It is essential that all joist centres are set at 300mm for both Piranha Composite Decking ranges.



The following example will use a decking area that is 3m wide x 6m long, based on a 300mm joist centre and 600mm support spacing, using 47mm x 125mm treated timber.

## Calculate the number of risers required on the length (A).

- Divide the length of the deck by the joist centre width.
- 6m (decking length) divided by 0.3m (joist centre width) = 20 joist centre risers.
- Add 1 to the total = **21 joist centre risers.**

**Calculate the number of risers required on the width (B).** These should be no more than 600mm apart to ensure the composite decking is supported and to reduce bounce.

- Divide the width of the deck by the support spacing span.
- 3m (deck width) divided by 0.60m (maximum support spacing span) = 5 support spacings.
- Add 1 to the total = **6 support spacing risers per joist run.**

Multiply the amount of joist centre risers by the number of support spacing risers.

**21 joist centre risers multiplied by 6 support spacing risers = 126 total risers required.**



For full details on the Pavetuf Adjustable Riser system please read the Guide to the Use & Installation of Adjustable Risers on [www.pavetuf.com](http://www.pavetuf.com)







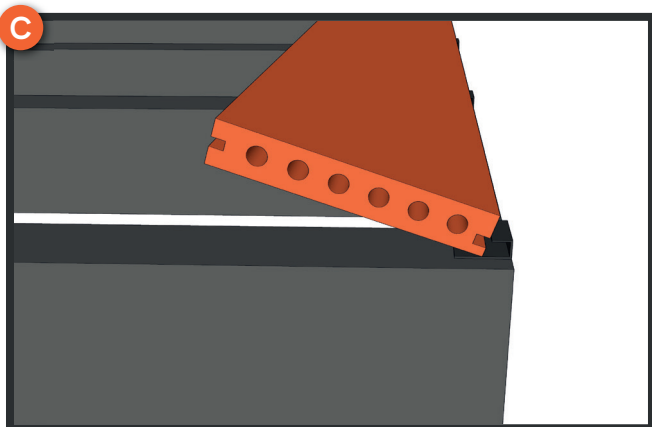
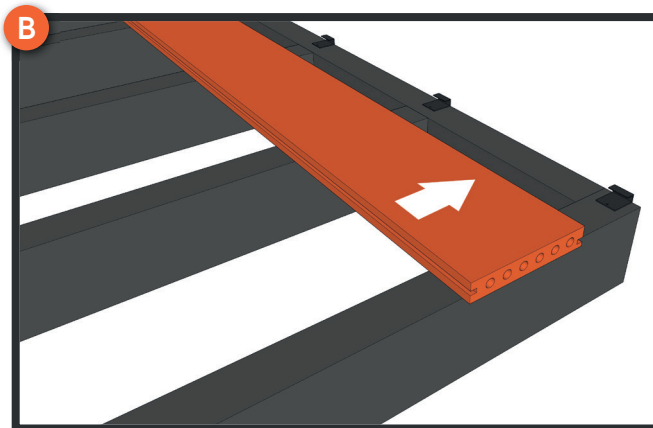
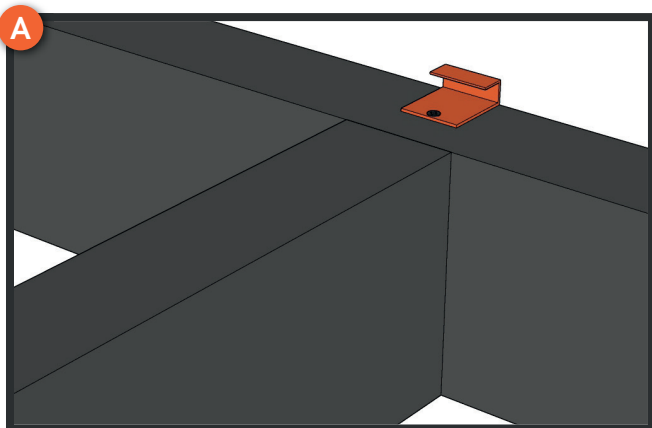
# Installation Guide

Although the following illustrations use the Terrafuzion range as an example, the methods remain the same when installing the Hunter range.



# First Decking Board

- Position the Starter Clips at the intersection of each joist and secure. These should be level with the edge of the frame. **(A)**
- Place the deck board with the grooved edge facing the starter clips. **(B)**
- Insert the deck board into the starter clip at a slight angle before pushing into place. **(C)**
- The ends of the decking boards must be fully supported.

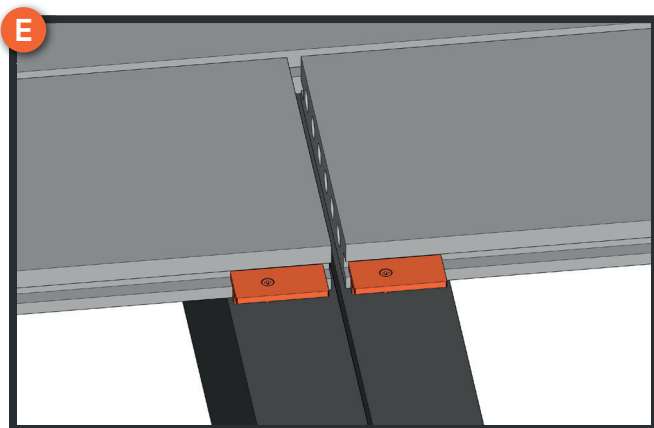
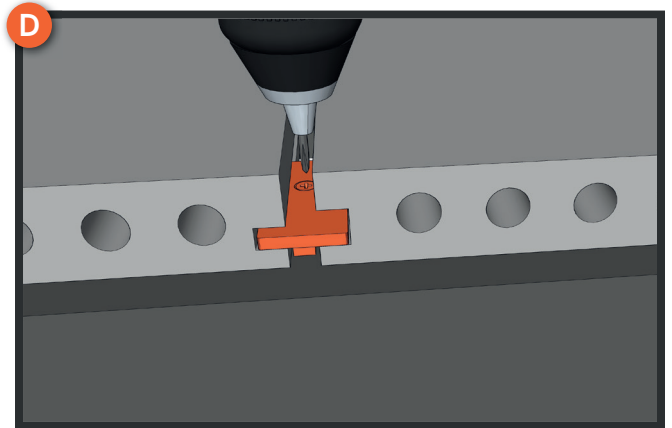
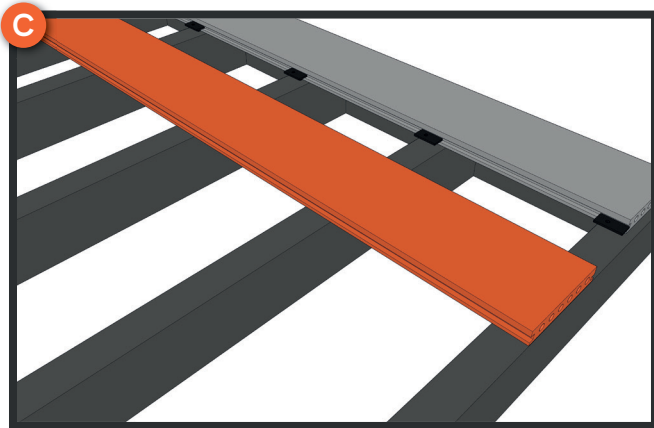
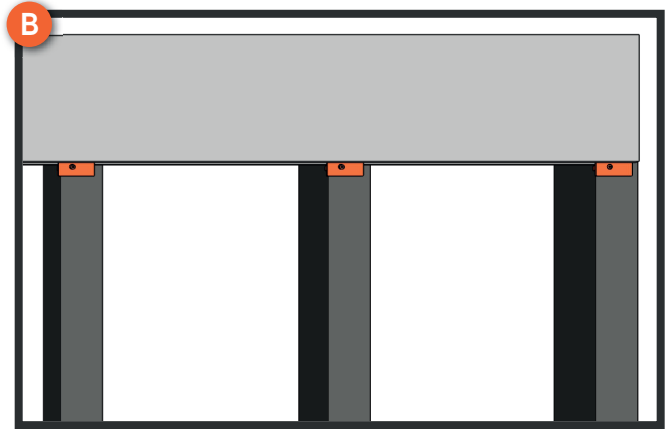
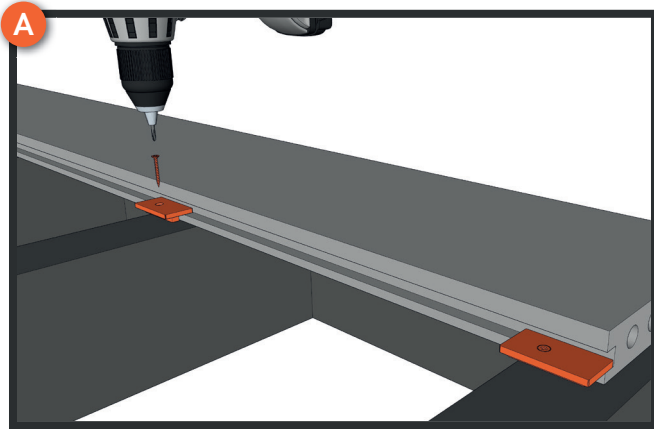


## Please note:

- Only use the recommended fixings required.
- Do not, at any point, screw or nail through the composite Decking or Edging Boards.

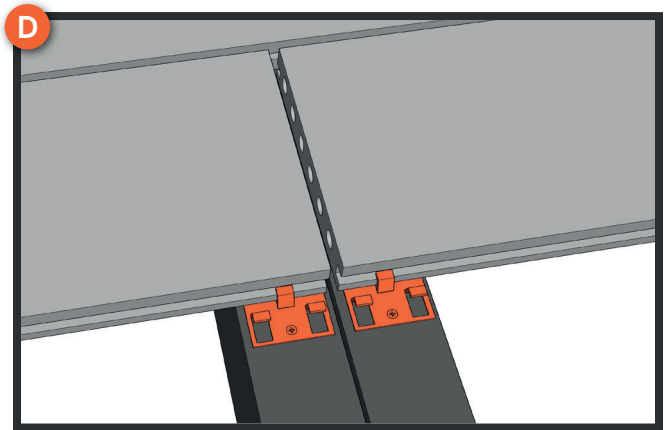
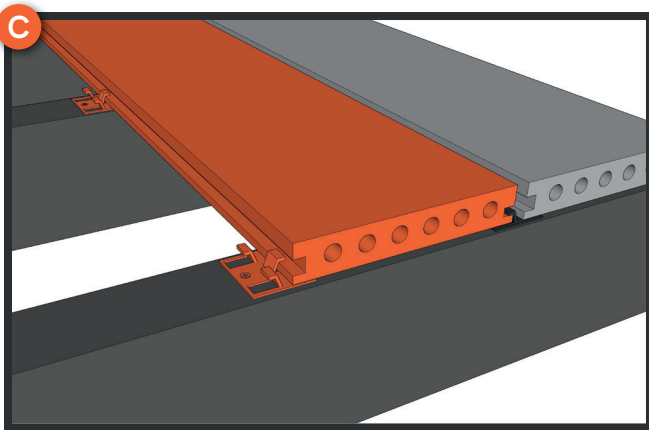
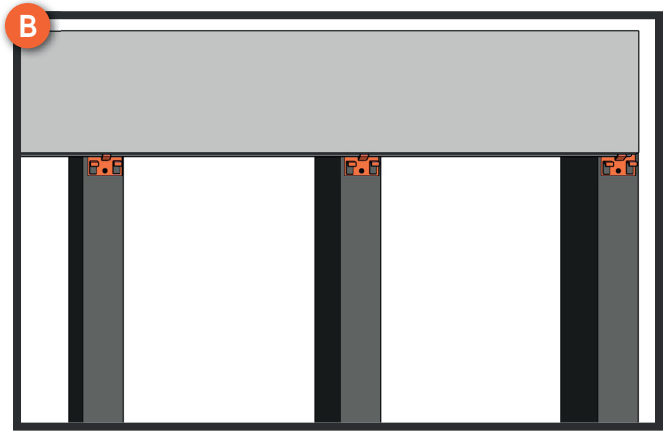
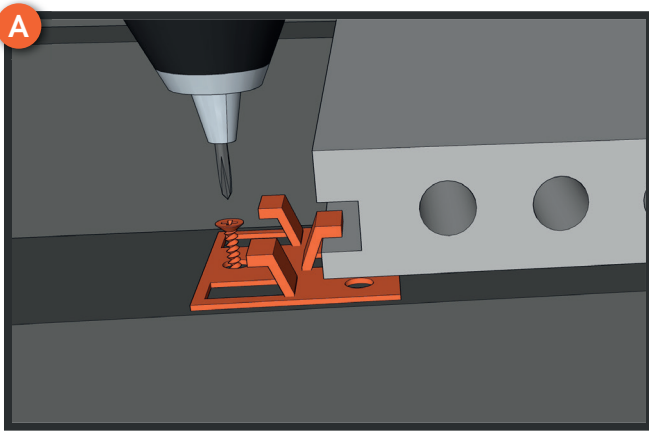
# Using T-Clips

- Place a T-Clip on each joist and into the side groove of the board. Lightly screw to secure the clip but do not fully tighten at this point. **(A)**
- You should use one clip on every joist (13 clips / board). **(B)**
- Line up the next board with the clips and push it into place. **(C)**
- Apply pressure to ensure the decking board is pushed up firmly against the clips.
- Now secure and tighten the first row of clips. **(D)**
- Repeat the process for subsequent boards, using 1 clip and 1 screw on every joist.
- You should also make sure that any joins have a double joist underneath and ensure a separate clip is used at the end of each board (never share a clip between 2 boards). **(E)**



# Using Slim Metal Clips

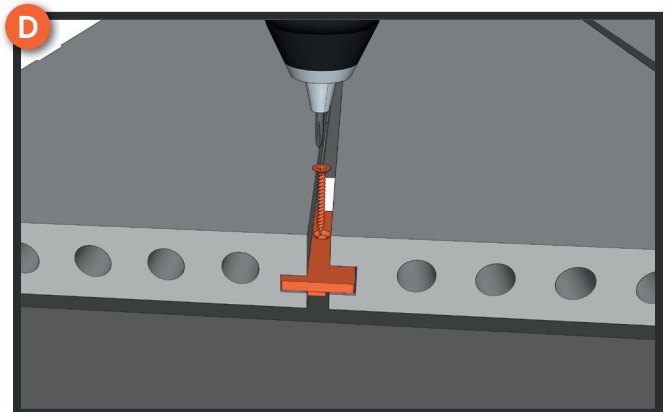
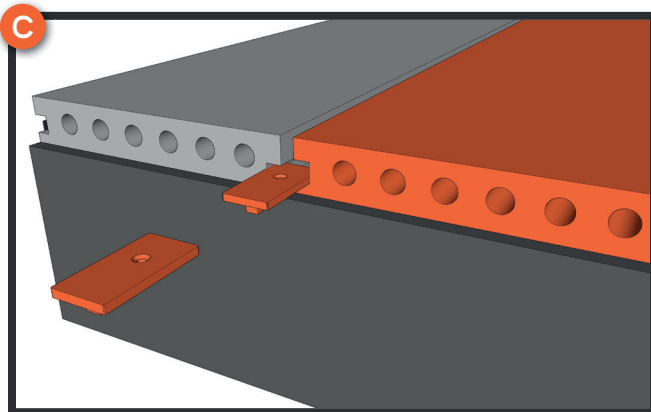
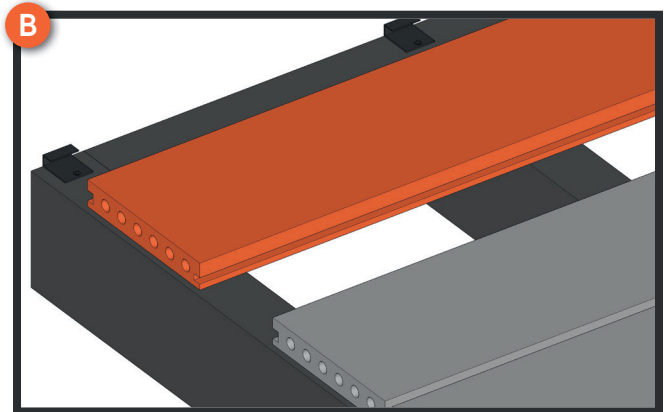
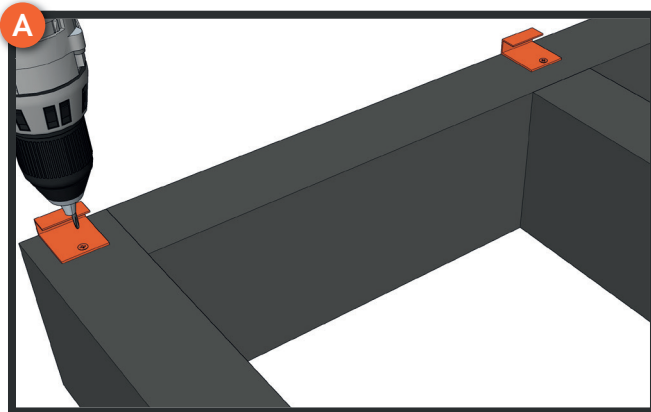
- Using Slim Metal Clips, place the single pronged side into the groove. Using one screw, secure the clip by screwing through the counter sunk hole and into the joist. **(A)**
- You should use one clip on every joist (13 clips / board). **(B)**
- Line up the next board with the clips and push it into place. **(C)**
- Apply pressure to ensure the decking board is pushed up firmly against the clips.
- Repeat the process for subsequent boards, using 1 clip and 1 screw on every joist.
- You should also make sure that any joints have a double joist underneath and ensure a separate clip is used at the end of each board (never share a clip between 2 boards). **(D)**



# Last Decking Board

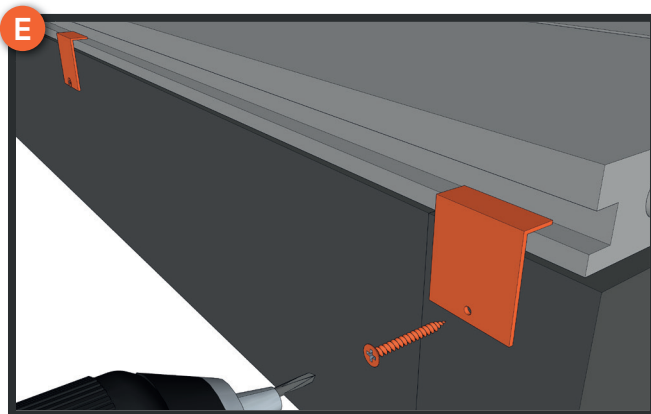
## Using T-Clips:

- Secure the Starter Clips at the intersection of each joist, level with the edge of the frame. **(A)**
- Slot the last board in place before fitting the penultimate board. **(B)**
- Insert the penultimate board and slide the T-Clips between the boards, to each joist, and secure in place. **(C,D)**



## Using Slim Clips:

Insert the last deck board and position an End Clip, over each joist, and secure. **(E)**



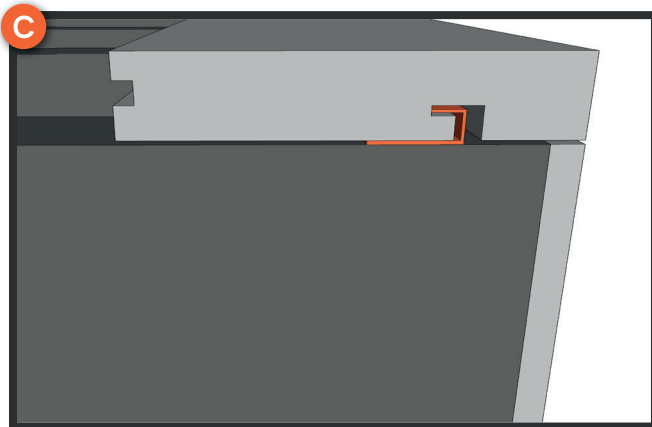
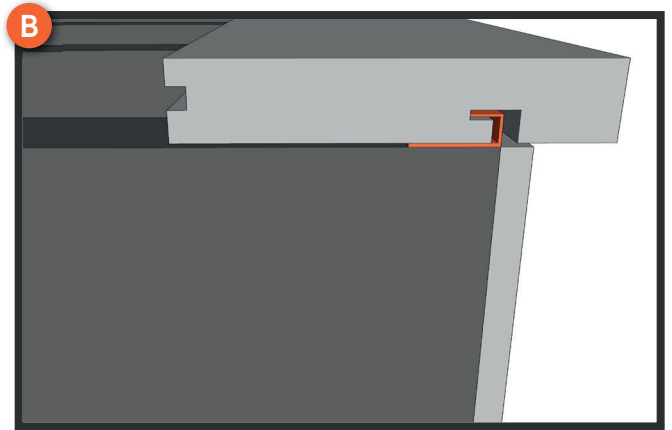
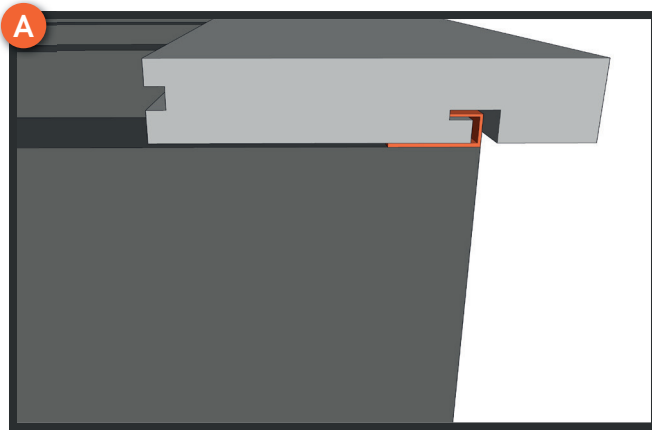
## Cutting the last Deck Boards:

Ensure that the trimmed board has enough of an edge for the clip to grip. Add slots in as required.



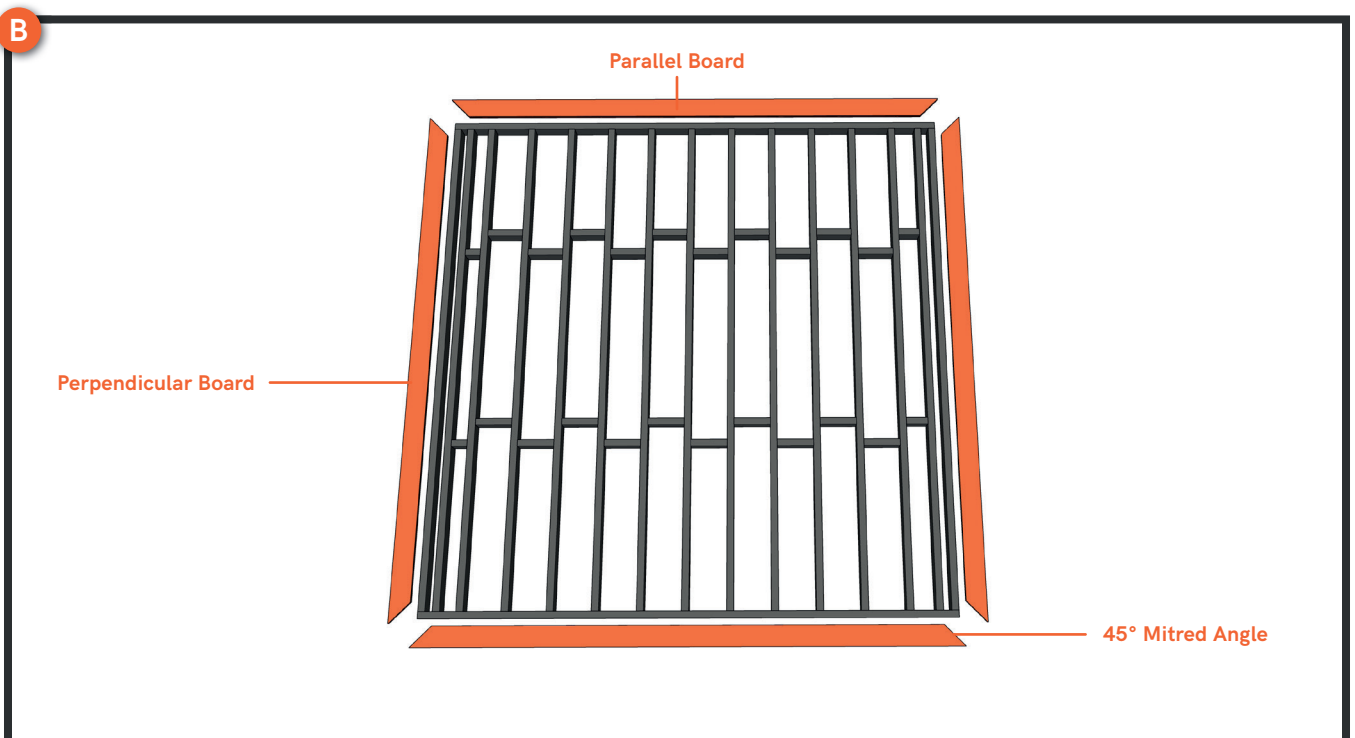
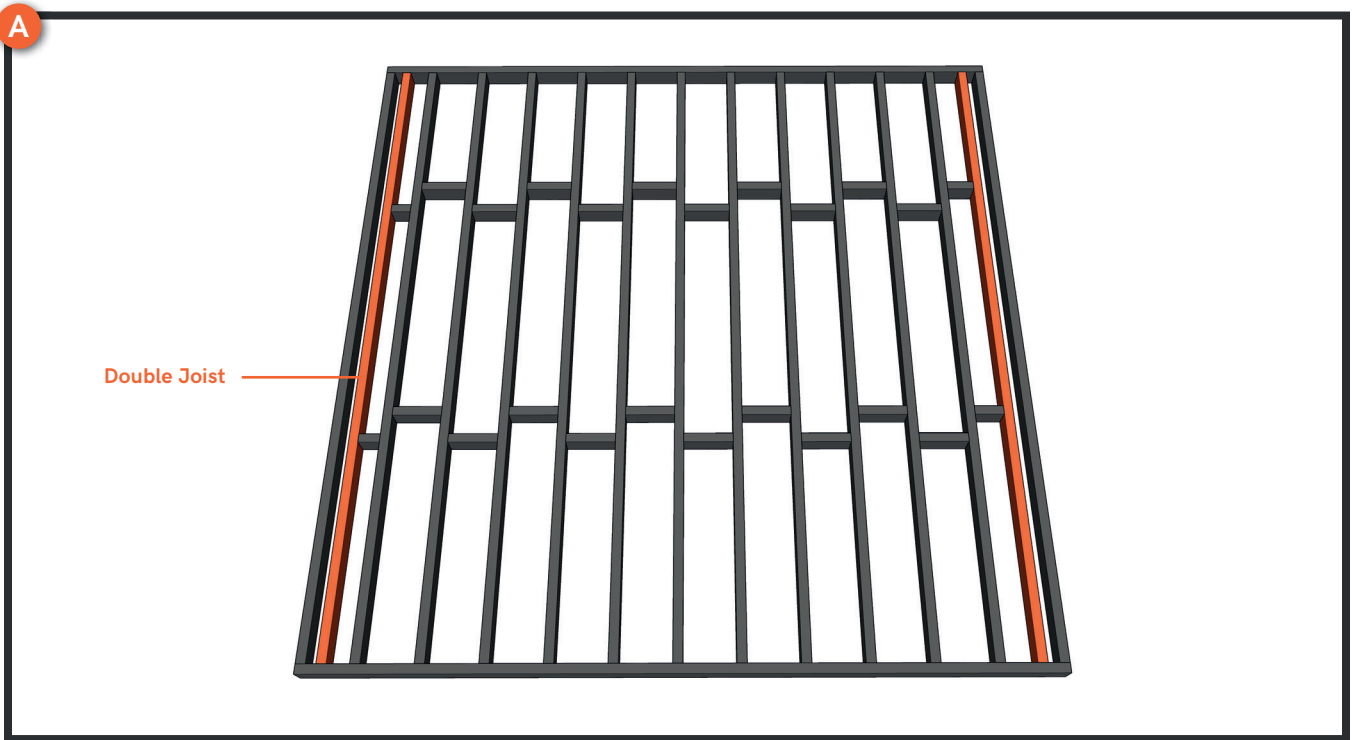
# Installing Edging Boards

- Position and fit the Starter Clips, as described previously.
- Place the Edging Board over the Starter Clip and push the Edging Board to secure and lock in place. **(A)**
- Terrafuzion Edging Boards will give you a 30mm overhang, less the thickness of any Fascia Board used. Hunter Edging Boards will provide a 35mm overhang. **(B)**
- If no overhang is required, set the Starter Clips accordingly. **(C)**
- Continue fitting the rest of the Decking Boards, as previously described.



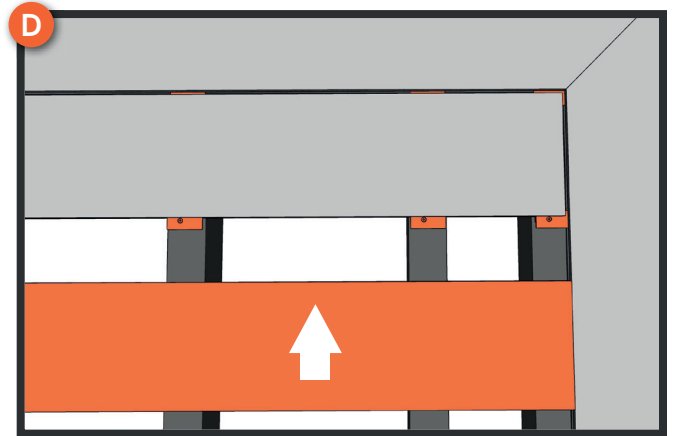
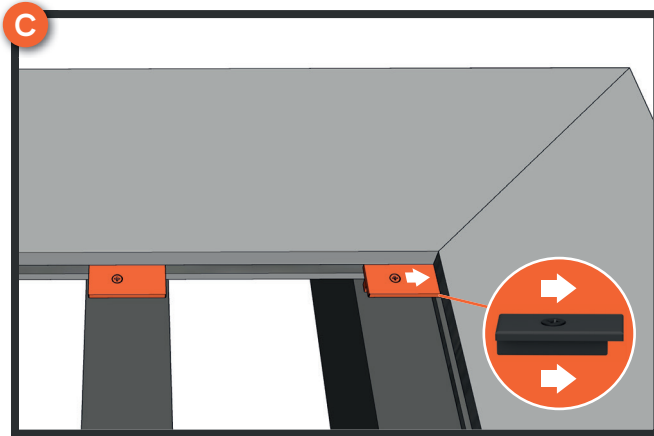
# Picture Framing

- When picture framing, a double joist is required on the perpendicular side of the frame to allow both Starter Clip and first decking clip to be fixed. **(A)**
- Boards will need to be cut with 45° mitred edges. **(B)**
- After installing the perimeter boards install subsequent boards.
- If using a Decking Board to picture frame, the Decking Board needs to be flush with the edge of the frame and Fascia Board flush with the edge of the decking.



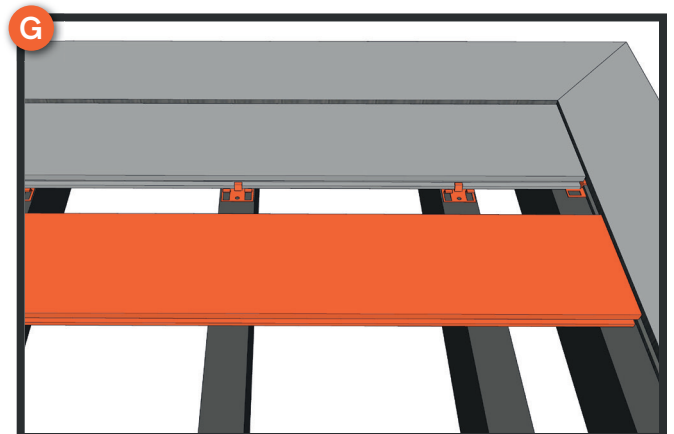
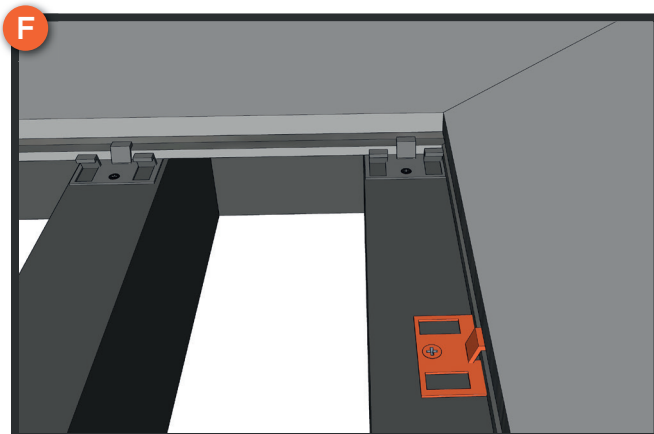
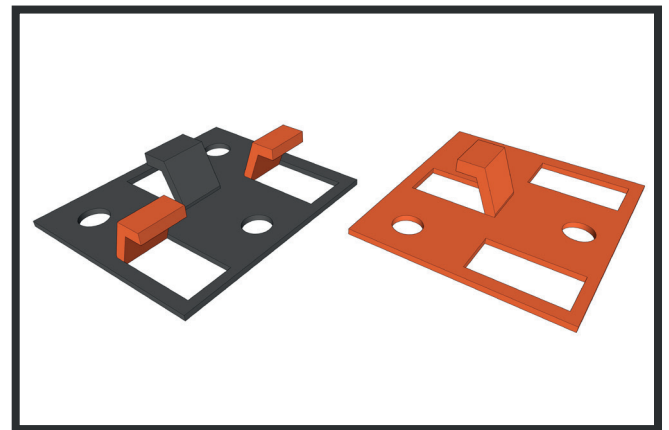
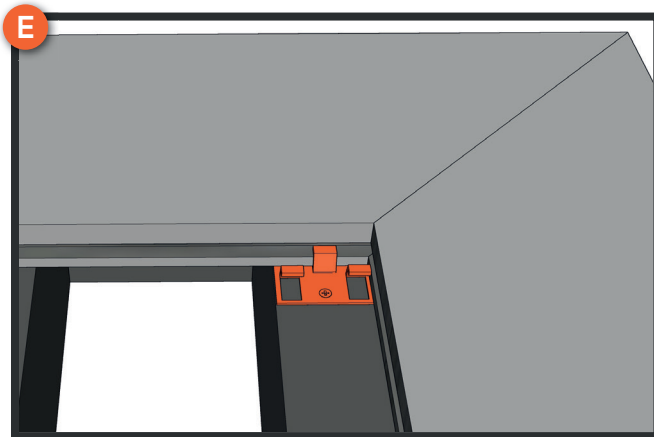
### Using T-Clips:

- To secure the board, you will need to insert the T-Clip with the front of the clip positioned in the groove of the board. **(C)**
- Lightly secure the T-Clip to the joist, push the next board in place and then tighten the screws. **(D)**
- Repeat the process for the remaining deck boards, making sure the fronts of all the T-Clips are firmly in the groove of the board.



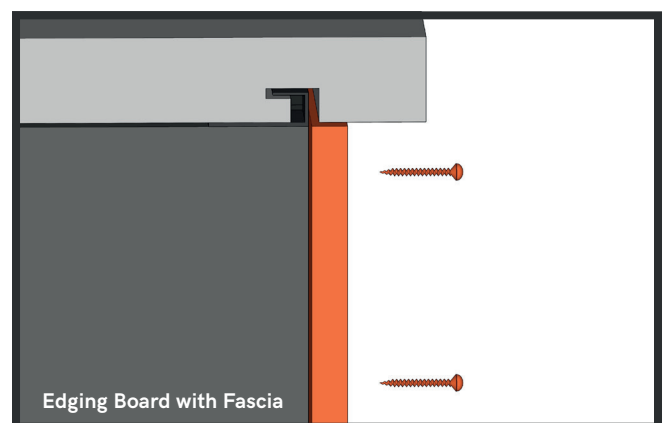
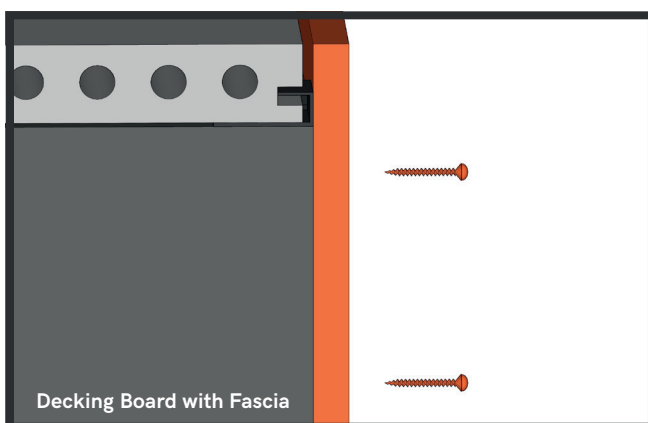
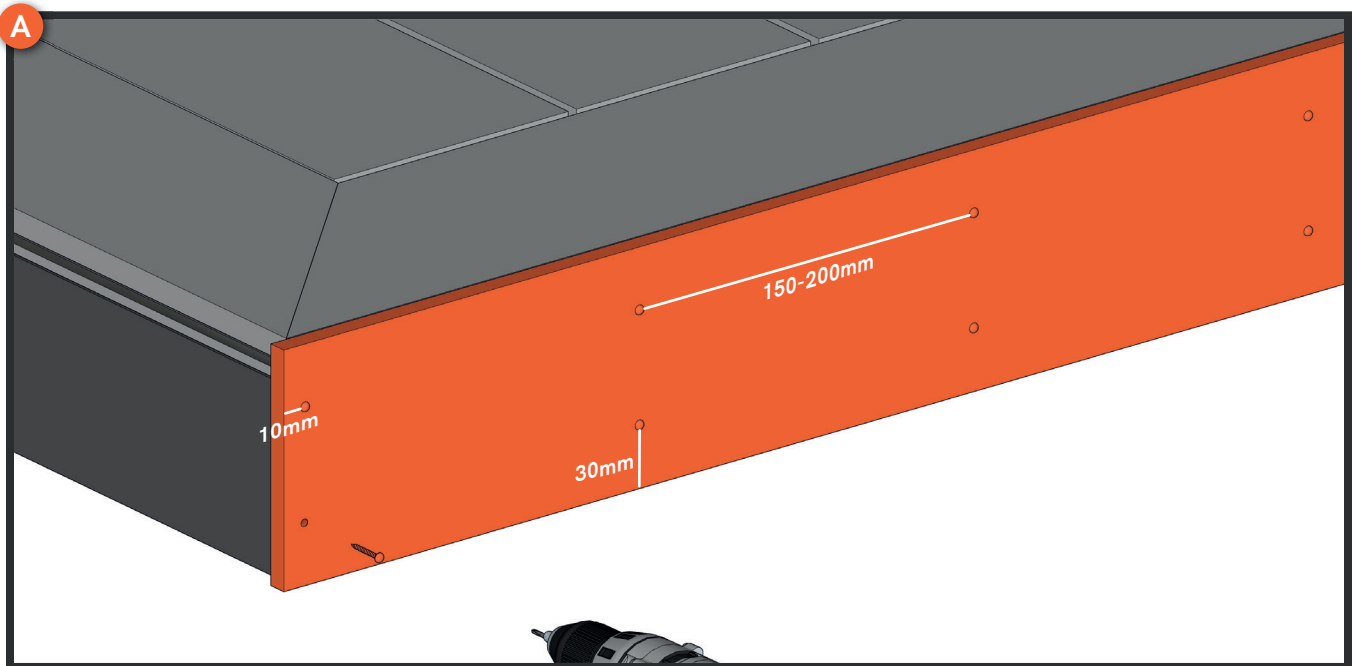
### Using Slim Clips:

- Secure the parallel board with a Slim Metal Clip. **(E)**
- Secure the perpendicular board by trimming the two side tabs on the Slim Metal Clip. **(F)**
- Repeat the process for the remaining deck boards. **(G)**



# Fitting Fascia Boards

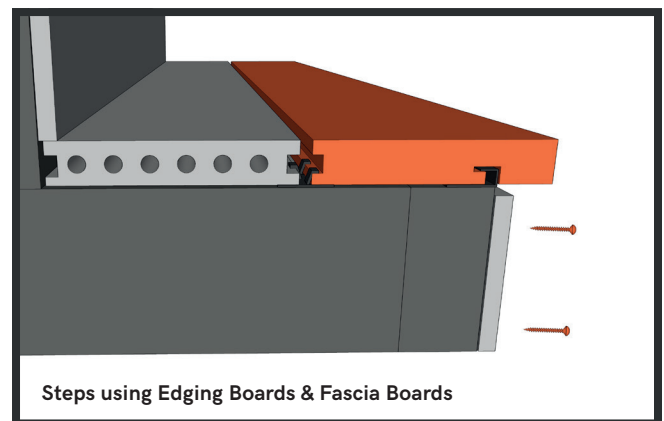
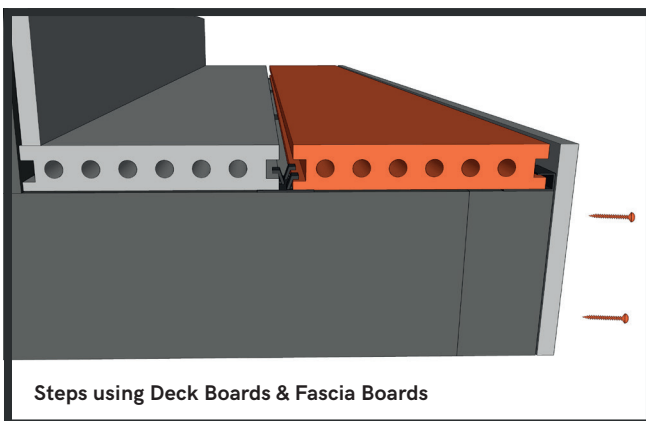
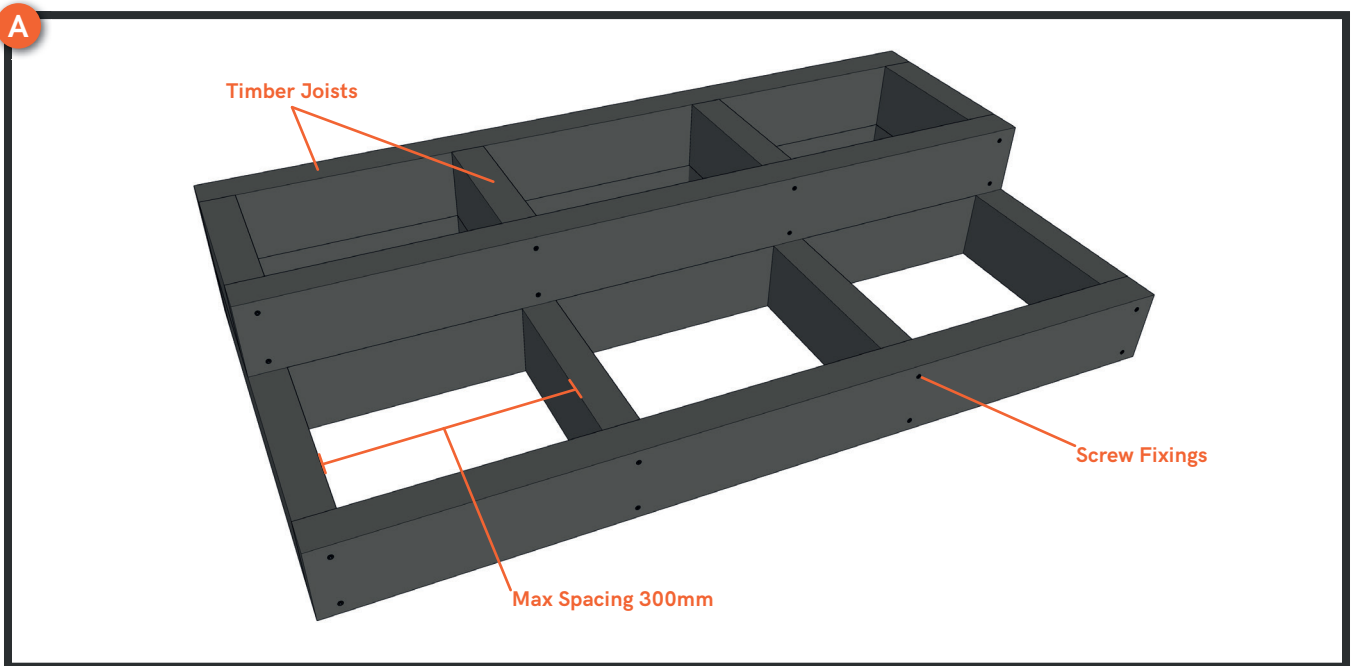
- Decking Board edges can be finished with a Fascia Board.
- Unlike the Decking & Edging Boards, Fascia Boards can be screwed directly through the surface and into the subframe.
- Always pre-drill holes to avoid splitting.
- Pre-drill approx. 30mm from the top and bottom, 2 screws each longitudinal, set at approx. 150-200mm intervals. The first 2 screws should be 10mm from the edge of the Fascia Board. (A)
- Apply a small amount of a suitable silicone, to seal the hole.
- Secure in place with the Coloured Screws.
- Always fit Fascia Boards to the joist at a 90° angle.
- A suitable ventilation gap must be left around the base of the deck to allow air flow.
- Ensure you have left appropriate expansion gaps where Fascia Board ends meet.





# Building Decking Steps

- Steps can be made by building a number of boxes and stacking them on top of each other (creating a box frame to support your step area). (A)
- The tread height (including the deck board) should be a maximum of 150mm.
- Joist centres - 300mm.
- Secure the steps to the subframe.



**Please Note:** The above is an example when using Slim Clips.

# General Information

## Colour Stabilisation

- All Piranha Composite Decking products contain UV stabilisers, however, due to their high natural content, all composite landscaping products will go through an initial colour stabilisation.
- When the products are initially exposed to variable temperatures and humidity, some shade change can occur as the product stabilises.
- This period of stabilisation generally occurs over the first cycle of the seasons.
- Due to its HDPE capping, the Terrafuzion range provides an increased protection against fading and weathering,
- During the first 6-12 months the colour pigments will stabilise. During this time fading may occur before weathering naturally.
- All wood based products will release tannins. This will naturally stabilise after approx. 12 weeks, depending on the temperature, UV and exposure to rain.
- They will naturally lighten over the first 8-12 weeks and then will stabilise after this period.
- Due to the wood content, composite products, like any wood based product, may experience a natural occurring process called Extractive Bleeding (also known as tea staining). This process can cause a temporary discolouration that will fade over time.

## Colour Banding

- Variation is designed into the shade spectrum using colour mixing, but some packs may have a more predominant shade to the next. Bear this in mind and inspect each pack to see if you need to consider mixing to create a natural blend.
- Orders bought at different times will exhibit shade difference.
- Even products purchased at the same time but then split into two separate projects at different times will stabilise at different rates. For example, if an area is installed and then extended some time later, even with the same consignment of product, there will be variation exhibited.

## Advisories

Once fitted we do not advise:

- Dragging furniture or plant pots across the decking.
- Dropping heavy items on the deck (such as large plant pots, trees, BBQs furniture etc).
- Items with metal feet should have suitable material between them and the decking to avoid damaging the deck.
- Using corrosive or strong chemical treatments such as bleach as this will lighten the product.
- Putting a wood burning fire pit or chiminea on the surface, as the heat exposure is too great and there is potential risk of embers landing on the decking, causing damage.

# Maintenance & Care

Maintaining a clean, dry surface is the best method for combatting dirt, grime and mildew build up. We recommend cleaning your deck every 3-6 months. This will prevent build up of dirt and organic matter from causing damage to the decking.

**General Cleaning** - Apply warm soapy water to the surface of the boards and clean with a suitable bristled brush. Then thoroughly rinse with a hose and allow to dry. Regardless of which cleaning method you choose, always clean along the length of the boards to prevent any accumulation of debris that can interfere with water drainage. (See below on deep cleaning). Clean in the same direction as the grooves on the decking surface, avoiding circular movements.

**Deep Cleaning** - Use Pavetuf Composite Cleaner which is specifically designed for the removal of built up surface dirt. It is biodegradable and is a non-acidic, non-caustic formula. Alternatively use a jet wash with no greater than 3100 PSI to clean the surface of your deck. Have the jet wash on a fan setting and hold 30-45cm from the surface. Regardless of which cleaning method you choose, always clean along the length of the boards to prevent any accumulation of debris that can interfere with water drainage.

**Stubborn Spot Stains** - For stubborn stains, such as oil and grease marks, we recommend that you use the techniques outlined above as well as the advice below: Treat the affected area within the first 7 days (as soon as possible) Remove the excess by dabbing with a dry cloth, making sure not to spread the mark further.. Pavetuf Deep Cleaner can be used, as it contains a degreasing agent which assists in the removal of heavy soiling such as oil and grease stains from the surface of hard landscaping products, including composite deck boards. DO NOT use bleach based cleaners.

**Surface Mildew and Mould Growth** - Piranha deck boards are resistant to the damaging effects of both mould and mildew growth, this type of growth can occur on almost every outdoor surface and may collect on the surface of the boards. Removal of leaves, debris and other organic material reduce the risk of mould occurring. General routine cleaning will help avoid excessive build-up of such growth. Pavetuf Green-Off Cleaner can be use if there is a build-up of organic growth. It is a fast acting cleaner specifically designed for the treatment of organic growth. Ensure all cleaners / detergent is washed off after use.

**Water Stains** - Surface water can pool and then evaporate, leaving marks and spots on the surface of the deck boards. These marks are normal and not a deficiency.

Use warm soapy water to thoroughly clean the affected boards. You may want to use a jet wash on the affected area to assist with the removal of surface residue. To further speed-up this process, use Pavetuf Composite Cleaner

**Ice and Snow** - Avoid using metal shovels, rakes, ice chippers and any other sharp objects to clear snow or ice off your deck. We recommend using a plastic shovel, otherwise you run the risk of scratching or damaging the surface of the boards. We recommend using a salt-free, non-corrosive ice melt which is designed not to leave any residue on the surface of the boards and is generally more effective than salt-based alternatives. Do not use rock/grit salt as this will possibly mark the surface due to its coarse texture.

# Health & Safety

All the above advice is purely for indication purposes only and guidance on initial estimates, with domestic installations in mind. Prior to ordering, for accurate quantities we recommend speaking to an experienced installer or to your supplier for more assistance.

Talasey Ltd recommends that every plan or design meets building regulations and permission has been granted (if required) before installation commences. Please use suitably qualified personnel to prevent injuries or accidents.

This general guide may not cover every scenario envisaged. It will be solely the responsibility of the installer for the installation methods they use and the performance as every installation can differ and may be unique.

Designing an appropriate construction for specific project requirements lies solely with the user. If in doubt, ask a local expert.

**HEALTH AND SAFETY MUST BE ADHERED TO.** We would also recommend that gloves, safety boots with steel toe caps and oil resistant soles, ear defenders and protective clothing should be worn. When cutting our products, it is essential that suitable eye and ear protection is also worn. Always ensure that suitable respiratory protection is worn to avoid the inhalation of dust particles produced by high-speed cutting devices. Training may be needed to operate certain equipment; it is your responsibility to ensure this takes place where necessary.

For further information on Health & Safety, please visit the knowledge hub on [www.piranhadecking.co.uk](http://www.piranhadecking.co.uk).

It is your responsibility to ensure that you comply with all applicable health and safety legislation and guidelines.



Face  
Protection



Protective  
Gloves



Eye  
Protection



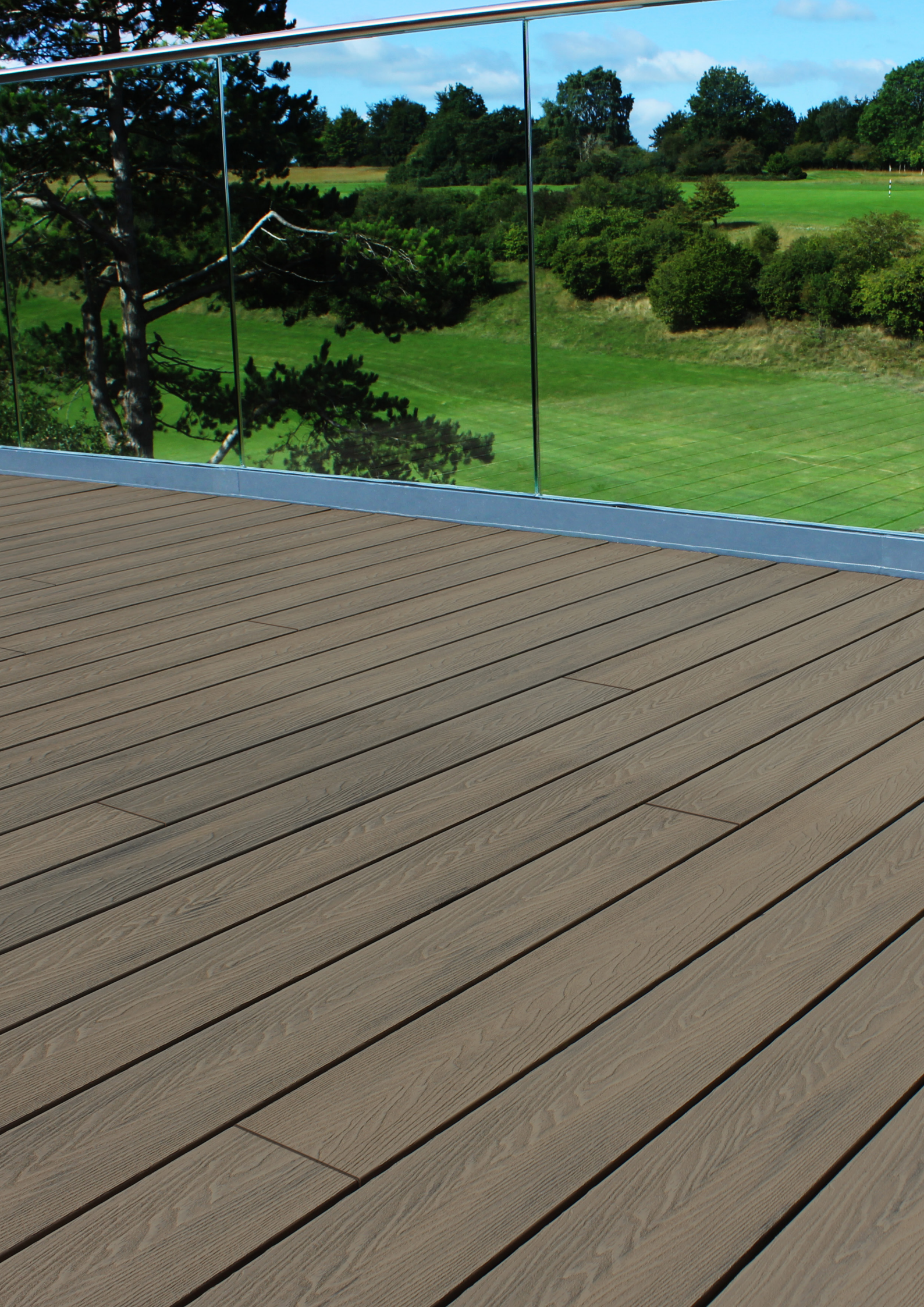
Hearing  
Protection

[www.piranhadecking.co.uk](http://www.piranhadecking.co.uk)

For further information or technical advice call  
**0330 333 8030**

Distributed by Talasey Ltd  
[www.talasey.co.uk](http://www.talasey.co.uk)

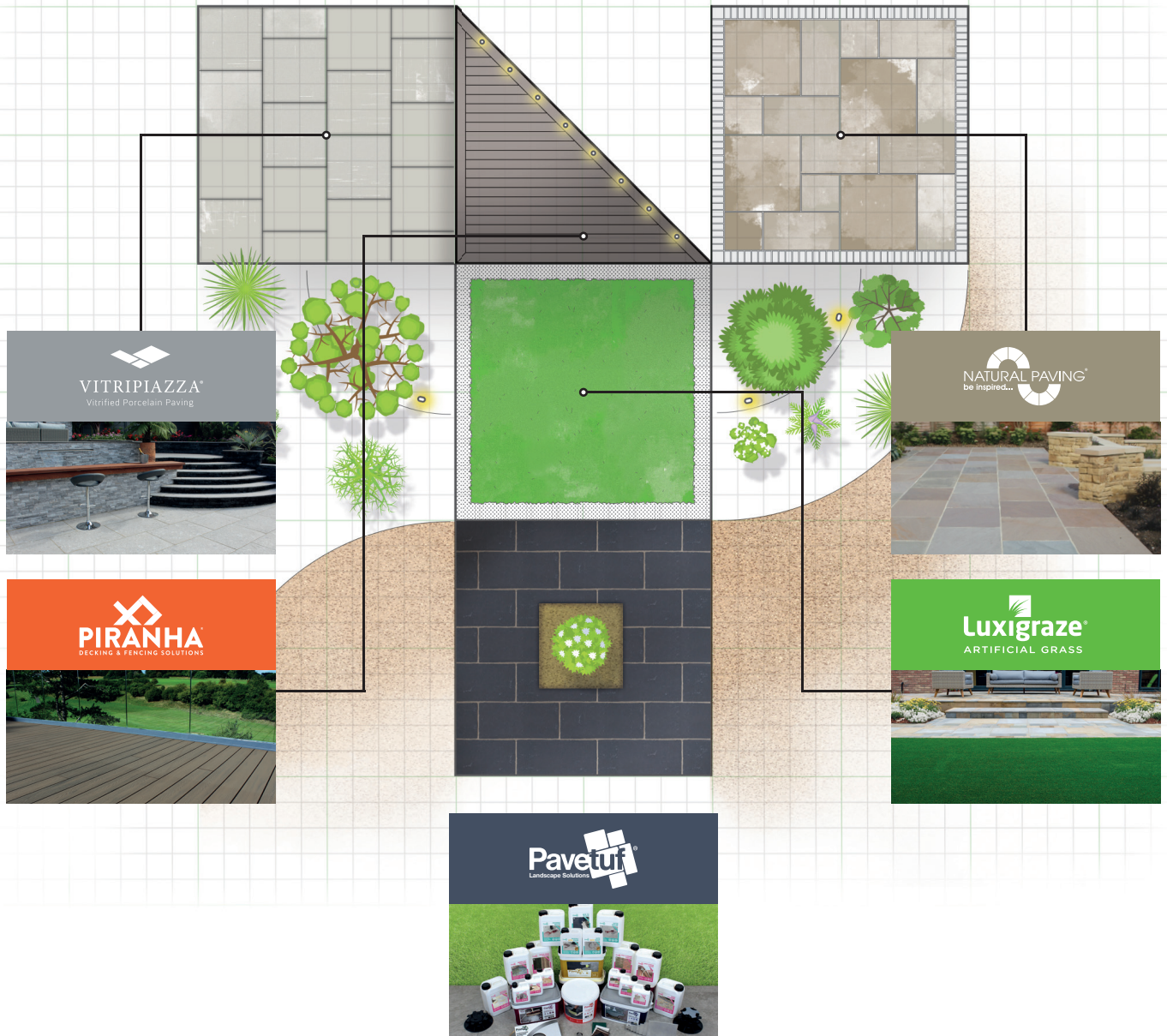






# TOTALLY TALASEY

TALASEY ARE PROUD TO BRING YOU THEIR EXTENSIVE PORTFOLIO OF THE FINEST LANDSCAPING PRODUCTS AND SOLUTIONS



Legal Notice - The information in this Document or on Talasey Ltd's Website referred to herein (the "Materials") is for guidance purposes and intended to assist you in your purchase and enjoyment of the product. Talasey Ltd will have no responsibility or liability, howsoever arising, for reliance on the information provided in the Materials. Talasey Ltd's sole liability in respect of any products shall be as outlined in the terms and conditions of purchase or in any express guarantee relating to the product purchased. Any product guarantee referenced in the Materials is subject to terms and conditions. Whilst we work closely with our partners, any arrangement you make or advice you take from them will be subject to your contract with them and Talasey Ltd has no liability in respect of any act or omission of any third party. Every effort has been taken to ensure that the information contained in the Materials is accurate, specifications and tolerances will be as contained in your order for the products, and may differ from those stated in the Materials, particularly with respect to natural materials where colours may differ from those illustrated. Guidance provided by Talasey Ltd is generic and advice should be sought in respect of local environmental and building regulations as applicable.



PRDP1G1122V1

See website for terms & conditions  
info@talasey.co.uk  
0330 333 8030  
www.talasey.co.uk



  
**TALASEY**  
GROUP